

# Ceiling Mounted Dental Light

## Preinstallation

Carefully unpack the light. Inspect all of the items received to assure that there has been no shipping damage. If damage is discovered, contact the carrier and file the appropriate claims within 24 hours after delivery.

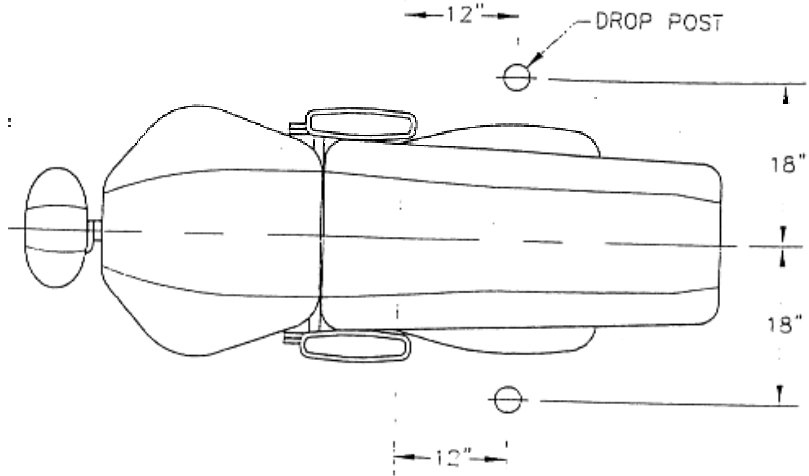
## Tools Required

Allen wrenches, hacksaw, bubble level  
Tape measure, screw drivers, hammer and drill.

## Installation

Check ceiling structure and assure that it will support a minimum of 200 pounds. Check for an electrical circuit near the support area of the light. 120V AC-10 Amp. Circuit required. Engage an electrician to connect the power supply to the light.

1. Mount the support mechanism of the light with 3 mounting screws, 3/8" diameter or larger. Use the attached drill template.



## Drop Post Modification

The ceiling light is designed to accommodate up to 11'0" ceilings providing 6'1" head clearance from the floor. The drop post must be cut to length for all other heights. Refer below for the appropriate length post for various ceiling heights.

Ceiling Height	8'0"	8'6"	9'0"	9'6"	10'0"	10'6"	11'0"
Post Length	12"	18"	24"	30"	36"	42"	48"

1. Remove the three screws from the lower end of the drop post assembly. Remove the swivel sleeve and the swivel key from the post.
2. Measure the post from the end containing the swivel sleeve and cut to length. Remove sharp edges.

**Do not drop post and the end containing the swivel sleeve!**

3. Drill 11/32" (.343) diameter hole on the centerline 1" from the cut end of the post.
4. This hole is for the 5/16" bolt that secures the post to the support mount.

**Do not drill the hole into the end of the post containing the swivel sleeve!**

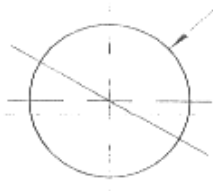
## Drop Post Assembly

1. Route the pigtail from the transformer through the drop post. Insert the drop post into the support mechanism and tighten the 5/16" bolt through the drop post. Let the drop post rest on the bolt.  
**Failure to install the bolt as described may allow the light to fall!**
2. Tighten the 8 set screws in the support mechanism to secure the drop post and to level the light. Assure that the post is plumb, front to back and side to side by positioning the bubble level on the drop post and adjusting the set screws. **All 8 set screws must be tight to prevent the light from falling!**
3. Put the cover support and the cover over the drop post leaving access to the leveling set screws.
4. Lubricate the inside of the swivel sleeve lightly. Place the swivel sleeve on the swivel arm spindle and insert the key into position securing the sleeve to the rigid arm spindle.

5. Connect the terminals from the swivel arm to the pigtail terminals matching the wire colors. Insert the rigid arm spindle containing the swivel sleeve and key into the drop post. Align the three holes in the drop post, with the key towards the foot of the chair, with the holes in the swivel sleeve and secure with the three screws.
6. Check the level of the post and readjust if necessary.
7. Position the cover and tighten the set screw in the cover support.
8. Turn the light on by moving the toggle to the far left. The switch is immediately behind the light head. The same switch is utilized to change the light to maximum brilliance for color matching (5000 K) by moving the switch to the far right position.

CEILING LIGHT  
300197

$\phi 7/8"$



MOUNTING TEMPLATE  
FULL SIZE

